



Electrical Vibrators

Manufacturing Programme

- New Series WEV
- New Series W-Micro
- Series Webac EAW
- Series Webac EAO

Webac Vibrator GmbH
Wilhelmstr. 41
D-53879 Euskirchen
Tel. +49 2251 1087-0
Fax +49 2251 1087-65

E-Mail: info@webac-vibrator.com
Website: www.webac-vibrator.com



New WEBAC WEV Series

2 poles three-phase electric vibrators - 3000/3600 rpm



| TYPE | MECHANICAL SPECIF. | | | | | | ELECTRICAL | | | | DIMENSIONAL SPECIF. | | | | | | | | | | | | | | | | | |
|-------------|--------------------|------|-------------------|------|------|------|------------------|------|------------------------|------|---------------------|------|------|------------------|-----|-----|-----|-------|--------------|----|------|------|-----|-------|-----|-------|-------|-------------|
| | STATIC MOMENT | | CENTRIFUGAL FORCE | | | | MAX. INPUT POWER | | MAX. INPUT CURRENT (A) | | Weight | | Ref. | Fixing distances | | | | | Fixing holes | | | | | | | | | |
| | (kgmm) | | (kg) | | (kN) | | (W) | | (A) | | (kg) | | | A | B | C | D | E | ØF | N° | G | H | I | L | M | N | O | Cable gland |
| | 50Hz | 60Hz | 50Hz | 60Hz | 50Hz | 60Hz | 50Hz | 60Hz | 50Hz | 60Hz | 50Hz | 60Hz | | | | | | | | | | | | | | | | |
| WEV/03/14/2 | 12 | 7,5 | 120 | 110 | 1,18 | 1,08 | 170 | 170 | 0,33 | 0,29 | 5,8 | 5,6 | 2 | 62-74 | 106 | 216 | 125 | 30,5 | 9 | 4 | 24 | 23 | 93 | 154 | 129 | 64 | 50 | PG13,5 |
| WEV/05/14/2 | 20 | 13 | 205 | 190 | 2,01 | 1,86 | 170 | 170 | 0,33 | 0,29 | 6,3 | 5,9 | 2 | 62-74 | 106 | 216 | 125 | 30,5 | 9 | 4 | 24 | 23 | 93 | 154 | 129 | 64 | 50 | PG13,5 |
| WEV/10/14/2 | 32 | 21 | 320 | 310 | 3,14 | 3,04 | 250 | 260 | 0,57 | 0,48 | 9,7 | 9,2 | 2 | 90 | 125 | 243 | 152 | 28,5 | 13 | 4 | 28 | 30 | 93 | 178 | 144 | 73 | 54 | PG13,5 |
| WEV/15/14/2 | 52 | 34 | 520 | 490 | 5,10 | 4,81 | 430 | 470 | 0,76 | 0,71 | 14,8 | 13,8 | 2 | 105 | 140 | 273 | 167 | 32 | 13 | 4 | 28,5 | 30 | 111 | 204 | 163 | 80 | 62,5 | PG16 |
| WEV/25/14/2 | 80 | 53 | 800 | 770 | 7,85 | 7,55 | 610 | 650 | 1 | 0,95 | 21 | 20 | 2 | 120 | 170 | 308 | 205 | 38 | 17 | 4 | 40 | 33 | 111 | 214,5 | 191 | 91,5 | 63 | PG16 |
| WEV/35/14/2 | 114 | 76 | 1150 | 1100 | 11,3 | 10,8 | 950 | 1100 | 1,6 | 1,6 | 24 | 23 | 2 | 120 | 170 | 436 | 210 | 60 | 17 | 4 | 22 | 47,5 | 111 | 243 | 223 | 115,5 | 118 | PG16 |
| WEV/38/14/2 | 159 | 104 | 1600 | 1500 | 15,7 | 14,7 | 1900 | 1900 | 3,2 | 2,8 | 43 | 41,5 | 2 | 140 | 190 | 422 | 230 | 81,5 | 17 | 4 | 22 | 45 | 111 | 235 | 224 | 104 | 83,5 | PG16 |
| WEV/40/14/2 | 234 | 155 | 2350 | 2250 | 23,1 | 22,1 | 2100 | 2100 | 3,4 | 2,9 | 53 | 51,5 | 2 | 140 | 190 | 458 | 230 | 81,5 | 17 | 4 | 22 | 45 | 111 | 235 | 224 | 104 | 101,5 | PG16 |
| WEV/45/14/2 | 324 | 220 | 3250 | 3200 | 31,9 | 31,4 | 3800 | 3800 | 6,2 | 5,4 | 105 | 101 | 2 | 155 | 255 | 590 | 310 | 103,5 | 23,5 | 4 | 30 | 60 | 155 | 335 | 309 | 160 | 140 | PG21 |
| WEV/55/14/2 | 399 | 261 | 4000 | 3800 | 39,2 | 37,3 | 3800 | 3800 | 6,2 | 5,4 | 110 | 103 | 2 | 155 | 255 | 590 | 310 | 103,5 | 23,5 | 4 | 30 | 60 | 155 | 335 | 309 | 160 | 140 | PG22 |
| WEV/67/14/2 | 636 | 445 | 6400 | 6450 | 62,8 | 63,3 | 5300 | 5300 | 8,8 | 7,7 | 188 | 181 | 2 | 200 | 320 | 662 | 390 | 111 | 28 | 4 | 32 | 75 | 155 | 381 | 384 | 189 | 151 | PG21 |
| WEV/71/14/2 | 895 | 621 | 9000 | 9000 | 88,3 | 88,3 | 9400 | 8800 | 17 | 12,3 | 217 | 211 | 2 | 200 | 320 | 624 | 392 | 111 | 28 | 4 | 35 | 75 | 155 | 403 | 402 | 199,5 | 132 | PG21 |

General Features Webac WEV Series:

- **Power supply:** standard threephase 230/400V, 50Hz. Threephase 42 to 690V, 50/60 Hz on request.
- **Operating temperature:** -30° to +40° C to ensure correct operation.
- **Mechanical protection:** IP 66
- Designed for continuous duty with 100% centrifugal force.
- Oversized shaft from highly resistant steel.
- Special execution bearings, for continuous operation at 100% CF.
- Labyrinth system for grease seal. Ensures LONG LIFE lubrication with possibility to reapply grease.



New WEBAC WEV Series



4 poles three-phase electric vibrators - 1500/1800 rpm



| TYPE | MECHANICAL SPECIF. | | | | | | ELECTRICAL | | | | DIMENSIONAL SPECIF. | | | | | | | | | | | | | | | | | |
|-------------|--------------------|------|-------------------|------|-------|-------|------------------|------|------------------------|------|---------------------|------|------|------------------|-----|-----|-----|--------------|------|----|------|------|-----|-------|-----|-------|-------|-------------|
| | STATIC MOMENT | | CENTRIFUGAL FORCE | | | | MAX. INPUT POWER | | MAX. INPUT CURRENT (A) | | Weight | | Ref. | Fixing distances | | | | Fixing holes | | | | | | | | | | |
| | (kgmm) | | (kg) | | (kN) | | (W) | | 380V | 460V | (kg) | | | A | B | C | D | E | ØF | N° | G | H | I | L | M | N | O | Cable gland |
| | 50Hz | 60Hz | 50Hz | 60Hz | 50Hz | 60Hz | 50Hz | 60Hz | 50Hz | 60Hz | 50Hz | 60Hz | | | | | | | | | | | | | | | | |
| WEV/03/02/4 | 14 | 11,6 | 35 | 42 | 0,343 | 0,412 | 80 | 90 | 0,2 | 0,19 | 6,0 | 6,0 | 2 | 62-74 | 106 | 216 | 125 | 30,5 | 9 | 4 | 24 | 23 | 93 | 154 | 129 | 64 | 50 | PG13,5 |
| WEV/05/02/4 | 32 | 22,1 | 80 | 80 | 0,785 | 0,785 | 80 | 90 | 0,2 | 0,19 | 6,6 | 6,4 | 2 | 62-74 | 106 | 216 | 125 | 30,5 | 9 | 4 | 24 | 23 | 93 | 154 | 129 | 64 | 50 | PG13,5 |
| WEV/10/02/4 | 87 | 60,8 | 220 | 220 | 2,16 | 2,16 | 160 | 160 | 0,38 | 0,38 | 12,5 | 11,5 | 2 | 90 | 125 | 295 | 152 | 28,5 | 13 | 4 | 28 | 30 | 93 | 178 | 144 | 73 | 80 | PG13,5 |
| WEV/20/02/4 | 167 | 116 | 420 | 420 | 4,12 | 4,12 | 280 | 330 | 0,57 | 0,57 | 19 | 18 | 2 | 105 | 140 | 340 | 167 | 32 | 13 | 4 | 28,5 | 30 | 111 | 204 | 163 | 80 | 96 | PG16 |
| WEV/30/02/4 | 298 | 215 | 750 | 780 | 7,36 | 7,65 | 500 | 620 | 0,88 | 0,93 | 28 | 26 | 2 | 120 | 170 | 376 | 205 | 38 | 17 | 4 | 40 | 33 | 111 | 214,5 | 191 | 91,5 | 97 | PG16 |
| WEV/35/02/4 | 437 | 276 | 1100 | 1000 | 10,8 | 9,81 | 520 | 640 | 0,9 | 0,9 | 45,5 | 41 | 2 | 120 | 170 | 436 | 210 | 60 | 17 | 4 | 22 | 47,5 | 111 | 243 | 223 | 115,5 | 118 | PG16 |
| WEV/38/02/4 | 556 | 387 | 1400 | 1400 | 13,7 | 13,7 | 850 | 1000 | 1,37 | 1,43 | 55 | 52 | 2 | 140 | 190 | 438 | 230 | 72 | 17 | 4 | 25 | 45 | 111 | 257 | 241 | 124,5 | 103 | PG16 |
| WEV/40/02/4 | 714 | 483 | 1800 | 1750 | 17,7 | 17,2 | 1100 | 1200 | 1,91 | 1,83 | 61 | 57 | 2 | 140 | 190 | 486 | 230 | 72 | 17 | 4 | 25 | 45 | 111 | 257 | 241 | 124,5 | 127 | PG16 |
| WEV/41/02/4 | 833 | 566 | 2100 | 2050 | 20,6 | 20,1 | 1300 | 1400 | 2,4 | 2,2 | 72 | 70 | 2 | 140 | 190 | 557 | 230 | 72 | 17 | 4 | 25 | 45 | 111 | 257 | 241 | 124,5 | 162,5 | PG16 |
| WEV/50/02/4 | 992 | 691 | 2500 | 2500 | 24,5 | 24,5 | 1500 | 1600 | 3 | 2,9 | 85 | 79 | 2 | 155 | 225 | 522 | 275 | 79,5 | 22 | 4 | 28 | 55 | 111 | 283 | 271 | 140 | 129,5 | PG16 |
| WEV/53/02/4 | 1250 | 870 | 3150 | 3150 | 30,9 | 30,9 | 1800 | 1900 | 3,6 | 3,3 | 95 | 92 | 2 | 155 | 225 | 600 | 275 | 79,5 | 22 | 4 | 28 | 55 | 111 | 283 | 271 | 140 | 168,5 | PG16 |
| WEV/55/02/4 | 1508 | 1050 | 3800 | 3800 | 37,3 | 37,3 | 2100 | 2400 | 3,8 | 3,7 | 118 | 113 | 2 | 155 | 255 | 590 | 310 | 103,5 | 23,5 | 4 | 30 | 60 | 155 | 335 | 309 | 160 | 140 | PG16 |
| WEV/57/02/4 | 1746 | 1188 | 4400 | 4300 | 43,2 | 42,2 | 2400 | 2700 | 4,6 | 4,4 | 125 | 120 | 2 | 155 | 255 | 658 | 310 | 103,5 | 23,5 | 4 | 30 | 60 | 155 | 335 | 309 | 160 | 174 | PG21 |
| WEV/60/02/4 | 1984 | 1367 | 5000 | 4950 | 49,1 | 48,6 | 3400 | 3200 | 5,7 | 4,8 | 174 | 166 | 2 | 180 | 280 | 638 | 340 | 106 | 26 | 4 | 30 | 65 | 155 | 369 | 336 | 173 | 154 | PG21 |
| WEV/67/02/4 | 2619 | 1823 | 6600 | 6600 | 64,7 | 64,7 | 5700 | 5700 | 10 | 8,6 | 212 | 200 | 2 | 200 | 320 | 662 | 390 | 111 | 28 | 4 | 32 | 75 | 155 | 381 | 384 | 189 | 151 | PG21 |
| WEV/71/02/4 | 3175 | 2210 | 8200 | 8200 | 80,4 | 80,4 | 6600 | 7600 | 11 | 10,9 | 228 | 213 | 2 | 200 | 320 | 624 | 392 | 111 | 28 | 4 | 35 | 75 | 155 | 403 | 402 | 199,5 | 132 | PG21 |
| WEV/81/02/4 | 3373 | 2486 | 8500 | 9000 | 83,4 | 88,3 | 7100 | 8000 | 11,5 | 11,3 | 319 | 305 | 3 | 125 | 380 | 862 | 460 | 70 | 39 | 6 | 35 | 95 | 170 | 434,5 | 439 | 215 | 230 | PG21 |

New WEBAC WEV Series

6 poles three-phase electric vibrators - 1000/1200 rpm



| TYPE | MECHANICAL SPECIF. | | | | | | ELECTRICAL SPECIF. | | | | | | DIMENSIONAL SPECIF. | | | | | | | | | | | | | | | |
|--------------|--------------------|-------|-------------------|-------|------|------|--------------------|-------|------------------------|------|--------|------|---------------------|-------------------|------|--------------|------|-------|------|------|------|-------------|---------|-------|------|-------|-------------------|------|
| | STATIC MOMENT | | CENTRIFUGAL FORCE | | | | MAX. INPUT POWER | | MAX. INPUT CURRENT (A) | | Weight | | Ref. | Fixing distance s | | Fixing holes | | | | | | Cable gland | | | | | | |
| | (kgmm) | | (kg) | | (kN) | | (W) | | (A) | | (kg) | | | A | B | C | D | E | ØF | N° | G | | H | I | L | M | N | O |
| | 50Hz | 60Hz | 50Hz | 60Hz | 50Hz | 60Hz | 50Hz | 60Hz | 50Hz | 60Hz | 50Hz | 60Hz | 50Hz | 60Hz | 50Hz | 60Hz | 50Hz | 60Hz | 50Hz | 60Hz | 50Hz | 60Hz | 50Hz | 60Hz | 50Hz | 60Hz | 50Hz | 60Hz |
| WEV/20/02/6 | 179 | 179 | 200 | 288 | 1,96 | 2,83 | 180 | 200 | 0,48 | 0,48 | 19 | 19 | 2 | 105 | 140 | 340 | 167 | 32 | 13 | 4 | 28,5 | 30 | 111 | 204 | 163 | 80 | 96 | PG16 |
| WEV/30/02/6 | 268 | 186 | 300 | 300 | 2,94 | 2,94 | 330 | 360 | 0,68 | 0,65 | 23 | 21 | 2 | 120 | 170 | 376 | 205 | 38 | 17 | 4 | 40 | 33 | 111 | 214,5 | 191 | 91,5 | 97 | PG16 |
| WEV/35/02/6 | 446 | 446 | 500 | 718 | 4,91 | 7,04 | 330 | 360 | 0,71 | 0,65 | 47 | 47,0 | 2 | 120 | 170 | 436 | 210 | 60 | 17 | 4 | 22 | 47,5 | 111 | 243 | 223 | 115,5 | 118 | PG16 |
| WEV/38/02/6 | 714 | 559 | 800 | 900 | 7,85 | 8,83 | 640 | 720 | 1,3 | 1,3 | 60 | 55 | 2 | 140 | 190 | 486-50438-60 | 230 | 72 | 17 | 4 | 25 | 45 | 111 | 257 | 241 | 124,5 | 127-50 103-60 | PG16 |
| WEV/40/02/6 | 982 | 714 | 1100 | 1150 | 10,8 | 11,3 | 710 | 710 | 1,6 | 1,3 | 70 | 61 | 2 | 140 | 190 | 557-50486-60 | 230 | 72 | 17 | 4 | 25 | 45 | 111 | 257 | 241 | 124,5 | 162,5-50 127-60 | PG16 |
| WEV/41/02/6 | 1339 | 937 | 1500 | 1500 | 14,7 | 14,7 | 900 | 950 | 2 | 1,9 | 81 | 74 | 2 | 140 | 190 | 557 | 230 | 72 | 17 | 4 | 25 | 45 | 111 | 257 | 241 | 124,5 | 162,5 | PG16 |
| WEV/50/02/6 | 1518 | 992 | 1700 | 1597 | 16,7 | 15,7 | 1000 | 1300 | 2,1 | 2,1 | 95 | 85 | 2 | 155 | 225 | 600-50522-60 | 275 | 79,5 | 22 | 4 | 28 | 55 | 111 | 283 | 271 | 140 | 168,5-50 129,5-60 | PG16 |
| WEV/53/02/6 | 1964 | 1375 | 2200 | 2200 | 21,6 | 21,6 | 1400 | 1600 | 2,8 | 2,7 | 108 | 96 | 2 | 155 | 225 | 600 | 275 | 79,5 | 22 | 4 | 28 | 55 | 111 | 283 | 271 | 140 | 168,5 | PG16 |
| WEV/55/02/6 | 2321 | 1615 | 2600 | 2600 | 25,5 | 25,5 | 1800 | 2000 | 3,9 | 3,6 | 133 | 120 | 2 | 155 | 255 | 658 | 310 | 103,5 | 23,5 | 4 | 30 | 60 | 155 | 335 | 309 | 160 | 174 | PG21 |
| WEV/57/02/6 | 2767 | 2000 | 3100 | 3200 | 30,4 | 31,4 | 2100 | 2300 | 4,3 | 4,1 | 148 | 133 | 2 | 155 | 255 | 698 | 310 | 103,5 | 23,5 | 4 | 30 | 60 | 155 | 335 | 309 | 160 | 194 | PG21 |
| WEV/60/02/6 | 3482 | 2422 | 3900 | 3900 | 38,3 | 38,3 | 2400 | 2800 | 4,8 | 4,7 | 201 | 183 | 2 | 180 | 280 | 730 | 340 | 106 | 26 | 4 | 30 | 65 | 155 | 369 | 336 | 173 | 200 | PG21 |
| WEV/62/02/6 | 4285 | 2937 | 4800 | 4700 | 47,1 | 46,1 | 3100 | 3500 | 6,3 | 5,8 | 217 | 196 | 2 | 180 | 280 | 790 | 340 | 106 | 26 | 4 | 30 | 65 | 155 | 369 | 336 | 173 | 230 | PG21 |
| WEV/65/02/6 | 4732 | 3292 | 5300 | 5300 | 52,0 | 52,0 | 3600 | 3800 | 6,7 | 6,2 | 242 | 220 | 2 | 200 | 320 | 736 | 390 | 111 | 28 | 4 | 32 | 75 | 155 | 381 | 384 | 189 | 188 | PG21 |
| WEV/67/02/6 | 5714 | 3975 | 6400 | 6400 | 62,8 | 62,8 | 4100 | 4700 | 7,7 | 7,6 | 267 | 239 | 2 | 200 | 320 | 836 | 390 | 111 | 28 | 4 | 32 | 75 | 155 | 381 | 384 | 189 | 238 | PG21 |
| WEV/71/02/6 | 7232 | 5031 | 8100 | 8100 | 79,5 | 79,5 | 6600 | 7100 | 11,9 | 10,7 | 320 | 285 | 2 | 200 | 320 | 854 | 392 | 111 | 28 | 4 | 35 | 75 | 155 | 403 | 402 | 199,5 | 247 | PG21 |
| WEV/75/02/6 | 7768 | 5404 | 8700 | 8700 | 85,3 | 85,3 | 7100 | 7700 | 13,2 | 12,1 | 330 | 292 | 2 | 200 | 320 | 854 | 392 | 111 | 28 | 4 | 35 | 75 | 155 | 403 | 402 | 199,5 | 247 | PG21 |
| WEV/81/02/6 | 8750 | 6087 | 9800 | 9800 | 96,1 | 96,1 | 7200 | 7500 | 12,8 | 11,6 | 383 | 343 | 3 | 125 | 380 | 862 | 460 | 70 | 39 | 6 | 35 | 95 | 170 | 434,5 | 439 | 215 | 230 | PG21 |
| WEV/110/02/6 | 10089 | 6830 | 11300 | 11000 | 111 | 108 | 9200 | 9600 | 16,3 | 15,4 | 402 | 363 | 3 | 125 | 380 | 1002 | 460 | 70 | 39 | 6 | 35 | 95 | 170 | 434,5 | 439 | 215 | 300 | PG21 |
| WEV/130/02/6 | 11607 | 7453 | 13000 | 12000 | 128 | 118 | 9200 | 9600 | 16,3 | 15,4 | 440 | 385 | 3 | 125 | 380 | 1002 | 460 | 70 | 39 | 6 | 35 | 95 | 170 | 434,5 | 439 | 215 | 300 | PG21 |
| WEV/141/02/6 | 12679 | 8758 | 14200 | 14100 | 139 | 138 | 10200 | 11000 | 18,3 | 17,6 | 638 | 600 | 4 | 140 | 480 | 960 | 570 | 90 | 45 | 8 | 41 | 135 | 170 | 537 | 538 | 268 | 200 | PG21 |
| WEV/171/02/6 | 15625 | 10560 | 17500 | 17000 | 172 | 167 | 12500 | 13000 | 23,6 | 21,9 | 705 | 651 | 4 | 140 | 480 | 1040 | 570 | 90 | 45 | 8 | 41 | 135 | 170 | 537 | 538 | 268 | 240 | PG21 |
| WEV/221/02/6 | 20090 | 12670 | 22500 | 20400 | 221 | 200 | 18300 | 18300 | 31,8 | 24,6 | 920 | 890 | 4 | 140 | 520 | 1150 | 610 | 90 | 45 | 8 | 38 | 145 | 250x210 | 612 | 594 | 297 | 298 | PG21 |
| WEV/250/02/6 | 22322 | - | 25000 | - | 245 | - | 18300 | - | 31,8 | - | 950 | - | 4 | 140 | 520 | 1150 | 610 | 90 | 45 | 8 | 38 | 145 | 250x210 | 612 | 594 | 297 | 298 | PG21 |

New WEBAC WEV Series

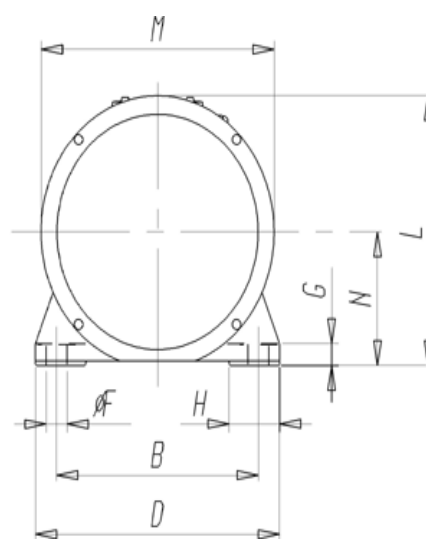
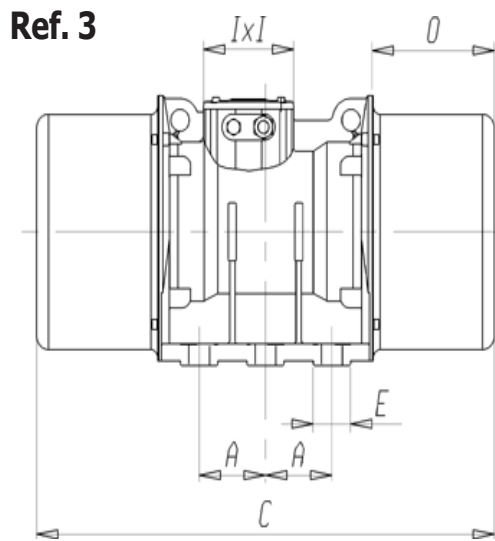
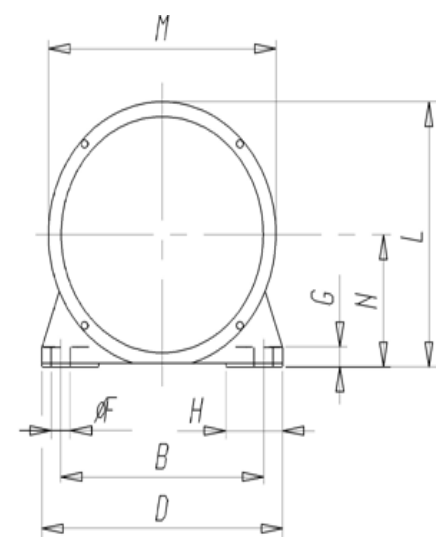
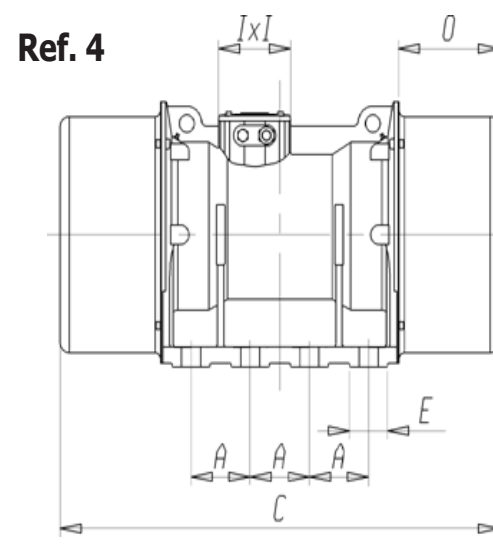
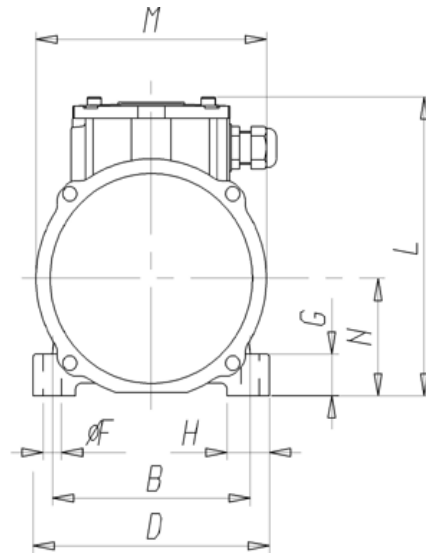
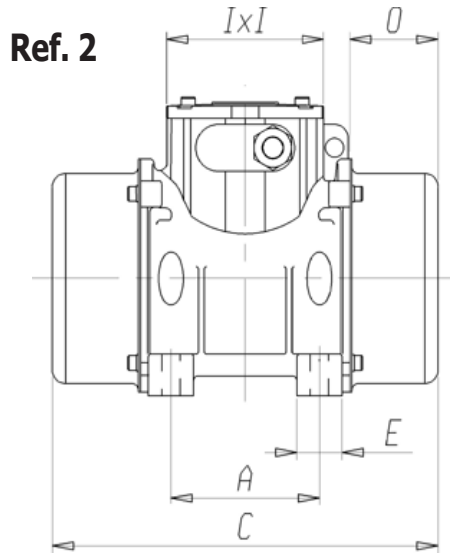
8 poles three-phase electric vibrators - 750/900 rpm



| TYPE | MECHANICAL SPECIF. | | | | | | ELECTRICAL SPECIF. | | | | DIMENSIONAL SPECIF. | | | | | | | | | | | | | | | | | |
|--------------|--------------------|-------|-------------------|-------|------|------|--------------------|-------|------------------------|------|---------------------|------|------|------------------|-----|--------------|-----|-------|------|----|------|------|---------|-------|-----|-------|-------|------|
| | STATIC MOMENT | | CENTRIFUGAL FORCE | | | | MAX. INPUT POWER | | MAX. INPUT CURRENT (A) | | Weight | | Ref. | Fixing distances | | Fixing holes | | | | | | | | | | | | |
| | (kgmm) | | (kg) | | (kN) | | (W) | | 380V | | 460V | | | (kg) | A | B | C | D | E | ØF | N° | G | H | I | L | M | N | O |
| | 50Hz | 60Hz | 50Hz | 60Hz | 50Hz | 60Hz | 50Hz | 60Hz | 50Hz | 60Hz | 50Hz | 60Hz | 50Hz | 60Hz | | | | | | | | | | | | | | |
| WEV/20/02/8 | 179 | 179 | 113 | 163 | 1,11 | 1,60 | 210 | 230 | 0,8 | 0,71 | 19 | 19 | 2 | 105 | 140 | 340 | 167 | 32 | 13 | 4 | 28,5 | 30 | 111 | 204 | 163 | 80 | 96 | PG16 |
| WEV/30/02/8 | 317 | 317 | 200 | 290 | 1,96 | 2,84 | 330 | 360 | 1 | 1 | 23 | 23 | 2 | 120 | 170 | 376 | 205 | 38 | 17 | 4 | 40 | 33 | 111 | 214,5 | 191 | 91,5 | 97 | PG16 |
| WEV/35/02/8 | 446 | 446 | 281 | 490 | 2,76 | 4,81 | 260 | 280 | 0,57 | 0,55 | 47 | 47 | 2 | 120 | 170 | 436 | 210 | 60 | 17 | 4 | 22 | 47,5 | 111 | 243 | 223 | 115,5 | 118 | PG16 |
| WEV/38/02/8 | 714 | 714 | 450 | 650 | 4,41 | 6,38 | 370 | 420 | 1,1 | 1,1 | 60 | 60 | 2 | 140 | 190 | 486 | 230 | 72 | 17 | 4 | 25 | 45 | 111 | 257 | 241 | 124,5 | 127 | PG16 |
| WEV/40/02/8 | 982 | 982 | 619 | 894 | 6,1 | 8,8 | 370 | 470 | 1,3 | 1,2 | 70 | 70 | 2 | 140 | 190 | 557 | 230 | 72 | 17 | 4 | 25 | 45 | 111 | 257 | 241 | 124,5 | 162,5 | PG16 |
| WEV/50/02/8 | 1518 | 1518 | 956 | 1381 | 9,4 | 13,5 | 900 | 1000 | 2,1 | 2,1 | 95 | 95 | 2 | 155 | 225 | 600 | 275 | 79,5 | 22 | 4 | 28 | 55 | 111 | 283 | 271 | 140 | 168,5 | PG16 |
| WEV/53/02/8 | 1937 | 1937 | 1220 | 1762 | 12,0 | 17,3 | 1050 | 1250 | 2,5 | 2,5 | 106 | 106 | 2 | 155 | 225 | 600 | 275 | 79,5 | 22 | 4 | 28 | 55 | 111 | 283 | 271 | 140 | 168,5 | PG16 |
| WEV/55/02/8 | 2321 | 2321 | 1462 | 2112 | 14,3 | 20,7 | 1400 | 1700 | 3,6 | 3,7 | 133 | 133 | 2 | 155 | 255 | 658 | 310 | 103,5 | 23,5 | 4 | 30 | 60 | 155 | 335 | 309 | 160 | 174 | PG21 |
| WEV/60/02/8 | 3482 | 3482 | 2194 | 3167 | 21,5 | 31,1 | 1900 | 2200 | 5,1 | 5 | 201 | 201 | 2 | 180 | 280 | 730 | 340 | 106 | 26 | 4 | 30 | 65 | 155 | 369 | 336 | 173 | 200 | PG21 |
| WEV/62/02/8 | 4285 | 4285 | 2700 | 3900 | 26,5 | 38,3 | 2400 | 2800 | 5,8 | 5,8 | 217 | 217 | 2 | 180 | 280 | 790 | 340 | 106 | 26 | 4 | 30 | 65 | 155 | 369 | 336 | 173 | 230 | PG21 |
| WEV/65/02/8 | 4732 | 4732 | 2981 | 4306 | 29,2 | 42,2 | 2700 | 3200 | 6,2 | 6,2 | 242 | 242 | 2 | 200 | 320 | 736 | 390 | 111 | 28 | 4 | 32 | 75 | 155 | 381 | 384 | 189 | 188 | PG21 |
| WEV/67/02/8 | 5714 | 5714 | 3600 | 5200 | 35,3 | 51,0 | 3800 | 4100 | 7,7 | 7,4 | 267 | 267 | 2 | 200 | 320 | 836 | 390 | 111 | 28 | 4 | 32 | 75 | 155 | 381 | 384 | 189 | 238 | PG21 |
| WEV/71/02/8 | 7232 | 7232 | 4556 | 6581 | 44,7 | 64,6 | 4700 | 5500 | 9,4 | 9 | 320 | 320 | 2 | 200 | 320 | 854 | 392 | 111 | 28 | 4 | 35 | 75 | 155 | 403 | 402 | 199,5 | 247 | PG21 |
| WEV/81/02/8 | 12700 | 10990 | 8000 | 10000 | 78,5 | 98,1 | 6400 | 7000 | 12,5 | 11,3 | 441 | 422 | 3 | 125 | 380 | 1002 | 460 | 70 | 39 | 6 | 35 | 95 | 170 | 434,5 | 439 | 215 | 300 | PG21 |
| WEV/141/02/8 | 18254 | 15385 | 11500 | 14000 | 113 | 137 | 8700 | 9100 | 19,9 | 18,5 | 698 | 676 | 4 | 140 | 480 | 1040 | 570 | 90 | 45 | 8 | 41 | 135 | 170 | 537 | 538 | 268 | 240 | PG21 |
| WEV/171/02/8 | 21430 | 19010 | 13500 | 17300 | 132 | 170 | 9800 | 10500 | 20,8 | 18,9 | 750 | 706 | 4 | 140 | 480 | 1120 | 570 | 90 | 45 | 8 | 41 | 135 | 170 | 537 | 538 | 268 | 280 | PG21 |
| WEV/221/02/8 | 28890 | 24725 | 18200 | 22500 | 179 | 221 | 11800 | 12800 | 25,1 | 22,6 | 1010 | 975 | 4 | 140 | 520 | 1150 | 610 | 90 | 45 | 8 | 38 | 145 | 250x210 | 612 | 594 | 297 | 298 | PG21 |

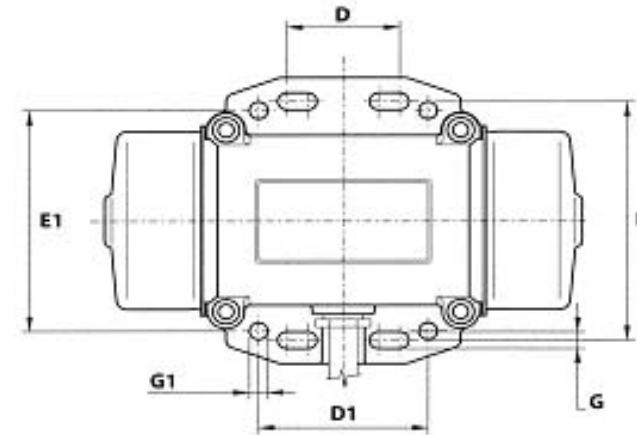
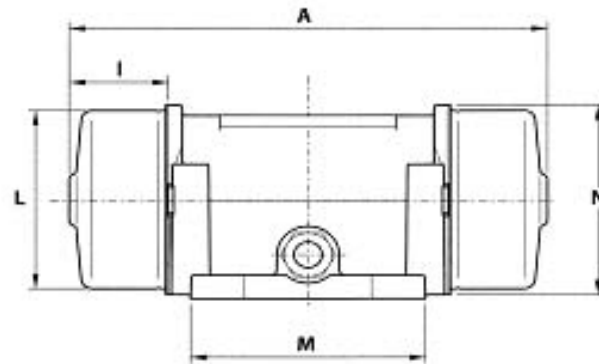
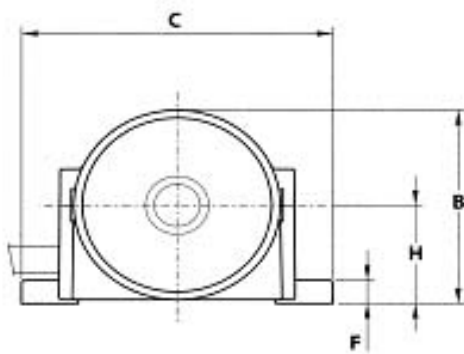


Technical Drawings & Dimensions WEV Series



WEBAC W-MICRO Series

| TYPE | CODE | SIZE | ELECTRICAL SPECIF. | | | | | | | | | | DIMENSIONAL SPECIF. | | | | | | | | | | | | | | | | | |
|--------|---------------|------|--------------------|------|------|------|----------------------|------|------------------------|------|-----------|------|---------------------|------|------|------------------|------|-----------|-------|-------|----|--------------|---|-----|------|----|----|------|------|------|
| | | | CENTRIFUGAL FORCE | | | | MAX. INPUT POWER (W) | | MAX. INPUT CURRENT (A) | | | | Weight (kg.) | | Ref. | Fixing distances | | | | | | Fixing holes | | | | | | | | |
| | | | kg | | kN | | | | 220V 50Hz | | 115V 60Hz | | | | | 380V 50Hz | | 460V 60Hz | | A | B | C | D | D1 | E | E1 | F | G | G1 | N° |
| | | | 50Hz | 60Hz | 50Hz | 60Hz | 50Hz | 60Hz | 50Hz | 60Hz | 50Hz | 60Hz | 50Hz | 60Hz | | 50Hz | 60Hz | | | | | | | | | | | | | |
| WM3/04 | 1.08304.000.0 | AA | 4 | 6 | 0,04 | 0,06 | 24 | 24 | 0,13 | 0,3 | - | - | 0,92 | 0,92 | | M | 113 | 62,5 | 90 | 25-40 | - | 75 | - | 9 | 5,5 | - | 4 | 32 | 20 | 56,6 |
| WM3/20 | 1.08320.000.0 | AB | 20 | 30 | 0,20 | 0,29 | 35 | 35 | 0,17 | 0,42 | 0,15 | 0,15 | 1,97 | 1,97 | M | 154 | 74,5 | 110 | 25-40 | 60 | 92 | 85 | 9 | 6,5 | Ø6,5 | 8 | 38 | 27,5 | 68,6 | 83 |
| WM3/45 | 1.08345.000.0 | AB | 45 | 65 | 0,44 | 0,64 | 45 | 45 | 0,2 | 0,46 | 0,16 | 0,16 | 2,20 | 2,20 | M | 169 | 74,5 | 110 | 25-40 | 60 | 92 | 85 | 9 | 6,5 | Ø6,5 | 8 | 38 | 35 | 68,6 | 83 |



Power supply: Three-phase from 24V to 480C, 50Hz or 60 Hz. Single-phase from 100V to 130V, 50Hz or 60Hz, and from 200V to 240V, 50Hz or 60Hz.

Centrifugal force: Can be adjusted from 0 to the maximum value indicated.

Mechanical protection: IP 65

Ambient temperature: From -30° to +40° C to ensure correct operation.

Lubrication: Long-life maintenance-free type bearings.

Operation: Continuous service at the maximum centrifugal force and electric power indicated.

Casing: Highly resistant light aluminum alloy with surface polishing treatment, stainless steel weight covers.



The classic WEBAC EAW Series



| | Model | Static Moment (kg mm) | | Centrifugal force (N) (kg) | | Mass (kg) | | Power (W att) | Frame (mm) | | | Attachment (mm) | | |
|---------------------------|-----------|--------------------------|-------|-------------------------------|--------|--------------|-------|------------------|---------------|-----|-----|--------------------|-----|------|
| | | 50 Hz | 60 Hz | (N) | (kg) | 50 Hz | 60 Hz | | C | D | L | A | B | Ø F |
| 2 Pole 3000 / 3600 rpm | EAW 2/01 | 15 | 10 | 1.500 | 153 | 5,2 | 5,0 | 120 | 243 | 125 | 144 | 68 | 106 | 9,0 |
| | EAW 2/02 | 23 | 16 | 2.300 | 235 | 5,6 | 3,3 | 120 | 243 | 125 | 144 | 68 | 106 | 9,0 |
| | EAW 2/03 | 32 | 22 | 3.200 | 326 | 16,0 | 15,0 | 275 | 258 | 155 | 184 | 90 | 125 | 8,5 |
| | EAW 2/05 | 54 | 37 | 5.400 | 551 | 22,0 | 21,0 | 550 | 309 | 170 | 206 | 105 | 140 | 10,5 |
| | EAW 2/10 | 90 | 62 | 9.000 | 918 | 23,0 | 22,0 | 550 | 309 | 170 | 206 | 105 | 140 | 10,5 |
| | EAW 2/15 | 160 | 111 | 16.000 | 1.632 | 34,0 | 33,0 | 900 | 356 | 210 | 231 | 120 | 170 | 14,5 |
| | EAW 2/25 | 240 | 167 | 24.000 | 2.448 | 50,0 | 48,0 | 1.600 | 448 | 230 | 258 | 140 | 190 | 16,5 |
| | EAW 2/40 | 410 | 285 | 41.000 | 4.182 | 85,0 | 83,0 | 2.600 | 525 | 275 | 299 | 155 | 225 | 20,5 |
| 4 Pole 1500 / 1800 rpm | EAW 4/01 | 23 | 16 | 570 | 58 | 5,6 | 5,3 | 90 | 243 | 125 | 144 | 68 | 106 | 9,0 |
| | EAW 4/02 | 32 | 23 | 800 | 82 | 5,9 | 5,6 | 90 | 243 | 125 | 144 | 68 | 106 | 9,0 |
| | EAW 4/03 | 69 | 47 | 1.700 | 173 | 16,0 | 15,0 | 100 | 258 | 155 | 184 | 90 | 125 | 8,5 |
| | EAW 4/04 | 146 | 100 | 3.600 | 367 | 24,0 | 23,0 | 220 | 309 | 170 | 206 | 105 | 140 | 10,5 |
| | EAW 4/08 | 308 | 211 | 7.600 | 775 | 37,0 | 35,0 | 470 | 356 | 210 | 231 | 120 | 170 | 14,5 |
| | EAW 4/15 | 607 | 417 | 15.000 | 1.530 | 55,0 | 52,0 | 920 | 448 | 230 | 258 | 140 | 190 | 16,5 |
| | EAW 4/27 | 1.134 | 778 | 28.000 | 2.856 | 93,0 | 88,0 | 1.720 | 525 | 275 | 299 | 155 | 225 | 20,5 |
| | EAW 4/50 | 2.025 | 1.390 | 50.000 | 5.100 | 167,0 | 160,0 | 3.070 | 608 | 340 | 349 | 180 | 280 | 24,5 |
| | EAW 4/80 | 3.300 | 2.290 | 82.500 | 8.415 | 300,0 | 290,0 | 5.070 | 730 | 420 | 400 | 220 | 340 | 27,5 |
| 6 Pole 1000 / 1800 rpm | EAW 6/10 | 909 | 625 | 10.000 | 1.020 | 61,0 | 56,0 | 610 | 448 | 230 | 258 | 140 | 190 | 16,5 |
| | EAW 6/20 | 1.636 | 1.130 | 18.000 | 1.836 | 102,0 | 95,0 | 1.100 | 525 | 275 | 299 | 155 | 225 | 20,5 |
| | EAW 6/35 | 3.000 | 2.060 | 33.000 | 3.366 | 178,0 | 168,0 | 2.030 | 608 | 340 | 349 | 180 | 280 | 24,5 |
| | EAW 6/55 | 5.000 | 3.440 | 55.000 | 5.610 | 320,0 | 305,0 | 3.380 | 730 | 420 | 400 | 220 | 340 | 27,5 |
| | EAW 6/100 | 9.100 | - | 99.000 | 10.098 | 615,0 | - | 6.080 | 980 | 500 | 500 | 134 x | 420 | 27,5 |
| | EAW 6/130 | 12.000 | 8.250 | 132.000 | 13.464 | 650,0 | 623,0 | 7.500 | 980 | 500 | 500 | 134 x | 420 | 27,5 |

General Features Webac EAW Series:

- **Power supply:** standard threephase 230/400V, 50Hz. Special voltages, e.g. 500V on request.
- **Operating temperature:** -30° to +40° C to ensure correct operation.
- **Mechanical protection:** IP 65;
- Designed for continuous duty with 100% centrifugal force.
- Special execution bearings, for continuous operation at 100% CF.

The classic WEBAC EAO Series



| | Model | Nominal speed (rpm) | Static Moment (kg mm) 50 Hz | Centrifugal force | | Mass (kg) | Power (Watt) | Frame (mm) | | | Attachment (mm) | | |
|--------|-----------|------------------------|-----------------------------------|-------------------|--------|--------------|-----------------|---------------|-----|-----|--------------------|-----|-----|
| | | | | (N) | (kg) | | | C | D | L | A | B | Ø F |
| 2 Pole | EAO 2/02 | 2,88 | 27 | 2.500 | 255 | 12,8 | 180 | 230 | 170 | 169 | 70 | 140 | 14 |
| | EAO 2/07 | 2,89 | 70 | 6.410 | 654 | 25,5 | 370 | 285 | 230 | 222 | 120 | 190 | 18 |
| | EAO 2/15 | 2,9 | 140 | 12.910 | 1.317 | 47,0 | 750 | 350 | 256 | 248 | 150 | 210 | 22 |
| | EAO 2/20 | 2,945 | 200 | 19.020 | 1.940 | 65,0 | 2.000 | 390 | 330 | 263 | 240 | 280 | 22 |
| 4 Pole | EAO 4/02 | 1,38 | 60 | 1.300 | 133 | 13,0 | 120 | 280 | 170 | 169 | 70 | 140 | 14 |
| | EAO 4/05 | 1,405 | 225 | 4.870 | 497 | 30,0 | 370 | 320 | 230 | 222 | 120 | 190 | 18 |
| | EAO 4/10 | 1,42 | 450 | 9.950 | 1.015 | 54,0 | 750 | 390 | 256 | 248 | 150 | 210 | 22 |
| | EAO 4/20 | 1,43 | 750 | 16.820 | 1.716 | 77,0 | 1.400 | 420 | 330 | 290 | 240 | 280 | 22 |
| | EAO 4/25 | 1,47 | 1,000 | 23.695 | 2.417 | 101,0 | 1.500 | 480 | 355 | 290 | 270 | 300 | 27 |
| | EAO 4/40 | 1,455 | 1,750 | 40.630 | 4.144 | 152,0 | 2.700 | 550 | 420 | 336 | 325 | 350 | 35 |
| | EAO 4/75 | 1,455 | 3,200 | 74.290 | 7.578 | 255,0 | 4.500 | 650 | 490 | 375 | 380 | 420 | 35 |
| | EAO 4/100 | 1,46 | 4,250 | 99.345 | 10.133 | 349,0 | 6.500 | 710 | 600 | 465 | 460 | 520 | 40 |
| 6 Pole | EAO 6/05 | 940 | 450 | 4.360 | 445 | 37,0 | 250 | 380 | 230 | 222 | 120 | 190 | 18 |
| | EAO 6/10 | 950 | 900 | 8.905 | 908 | 65,0 | 550 | 460 | 256 | 248 | 150 | 210 | 22 |
| | EAO 6/17 | 960 | 1,600 | 16.170 | 1.649 | 96,0 | 1.100 | 510 | 330 | 290 | 240 | 280 | 22 |
| | EAO 6/25 | 970 | 2,150 | 22.185 | 2.263 | 127,0 | 1.500 | 610 | 355 | 290 | 270 | 300 | 27 |
| | EAO 6/40 | 970 | 3,170 | 38.175 | 3.894 | 189,0 | 2.500 | 670 | 420 | 336 | 325 | 350 | 35 |
| | EAO 6/75 | 965 | 7,000 | 71.485 | 7.291 | 324,0 | 4.500 | 820 | 490 | 375 | 380 | 420 | 35 |
| | EAO 6/110 | 980 | 10,000 | 105.320 | 10.743 | 438,0 | 6.500 | 830 | 600 | 465 | 460 | 520 | 40 |
| 8 Pole | EAO 8/04 | 715 | 693 | 3.950 | 403 | 46,0 | 250 | 440 | 230 | 228 | 120 | 190 | 18 |
| | EAO 8/30 | 715 | 4,800 | 26.910 | 2.745 | 209,0 | 2.100 | 740 | 420 | 336 | 325 | 350 | 35 |
| | EAO 8/60 | 725 | 9.600 | 55.335 | 5.644 | 388,0 | 4.200 | 940 | 490 | 375 | 380 | 420 | 35 |
| | EAO 8/100 | 730 | 17,000 | 99.345 | 10.133 | 518,0 | 6.500 | 970 | 600 | 465 | 460 | 520 | 40 |

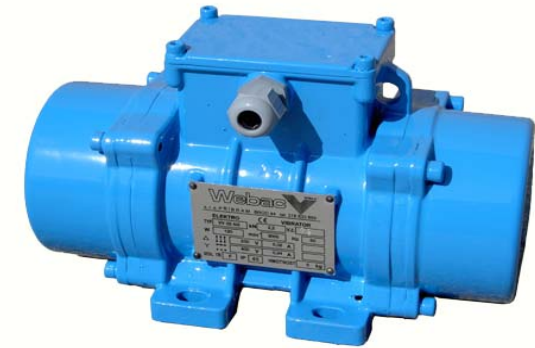
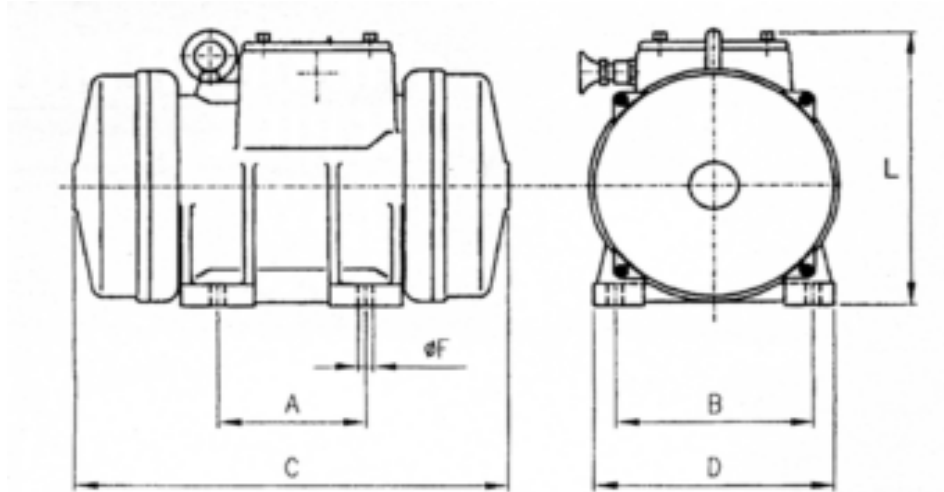
General Features Webac EAO Series:

- **Power supply:** standard threephase 230/400V, 50Hz. Special voltages, e.g. 500V on request.
- **Operating temperature:** -30° to +40° C to ensure correct operation.
- **Mechanical protection:** IP 65;
- Designed for continuous duty with 100% centrifugal force.
- Special execution bearings, for continuous operation at 100% CF.

Technical Drawings & Dimensions EAW & EAO Series



EAW Series



EAO Series

